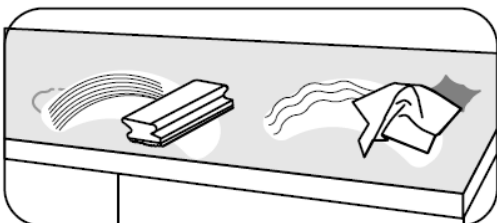
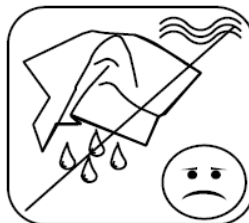
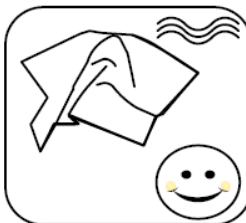
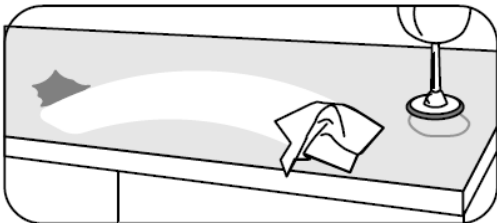
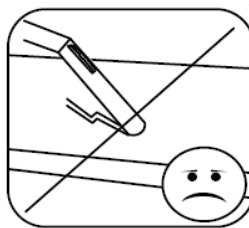
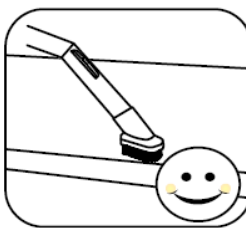
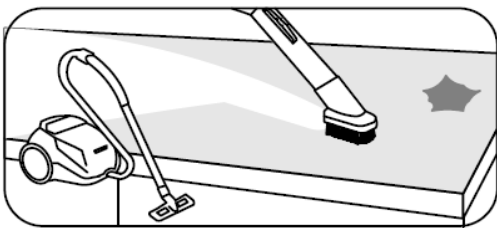
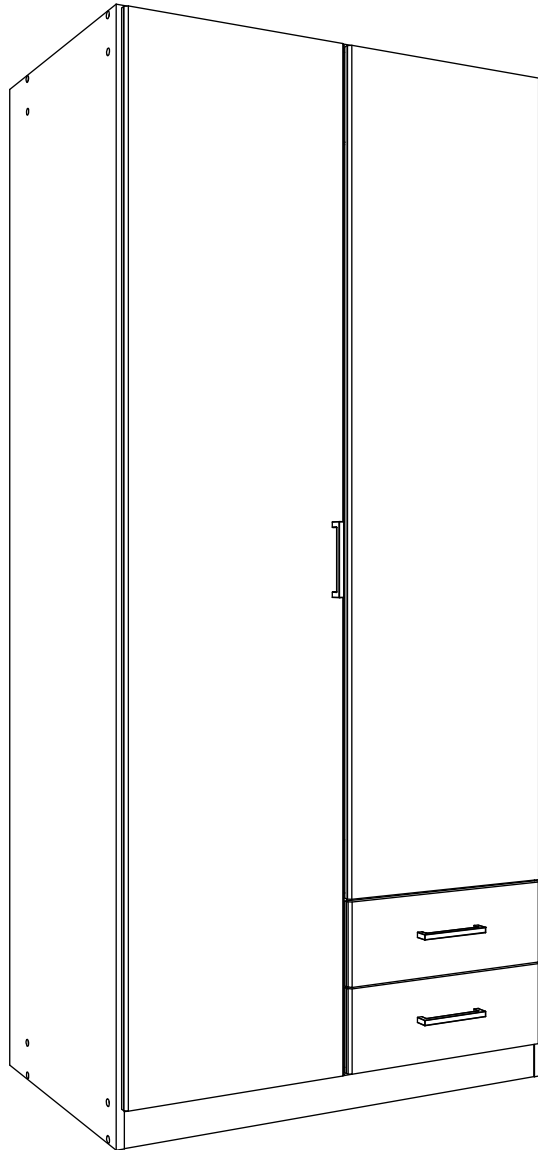
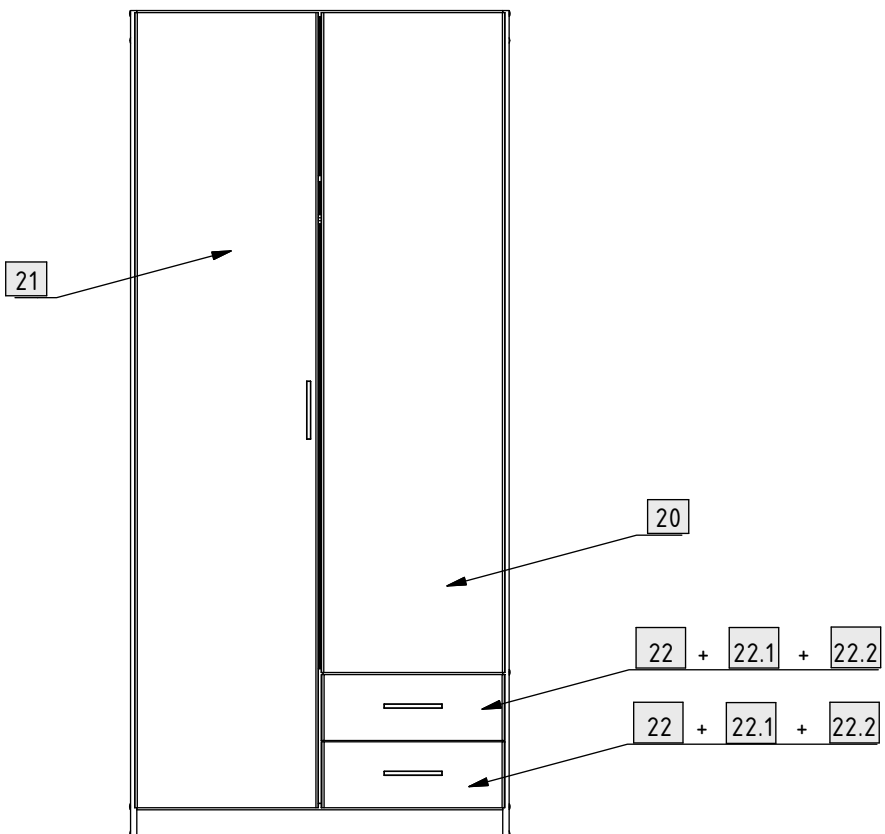
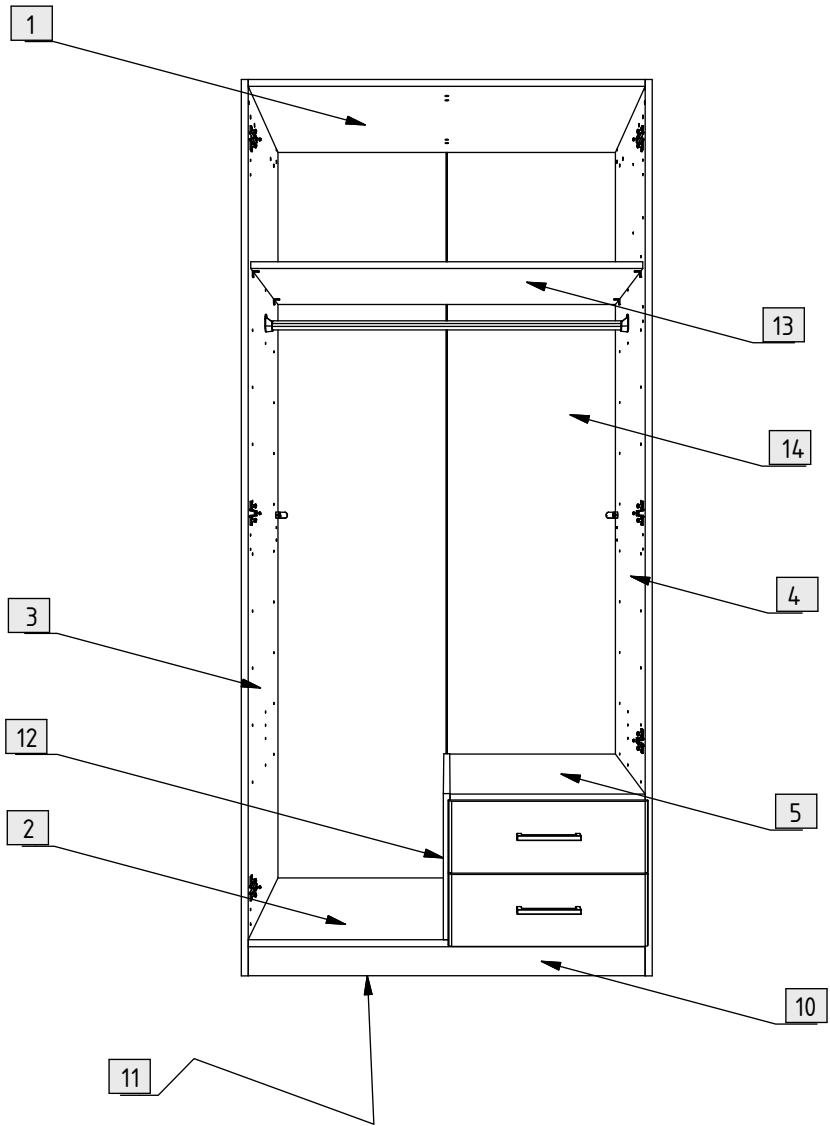
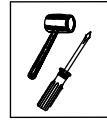
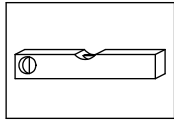
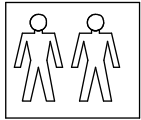


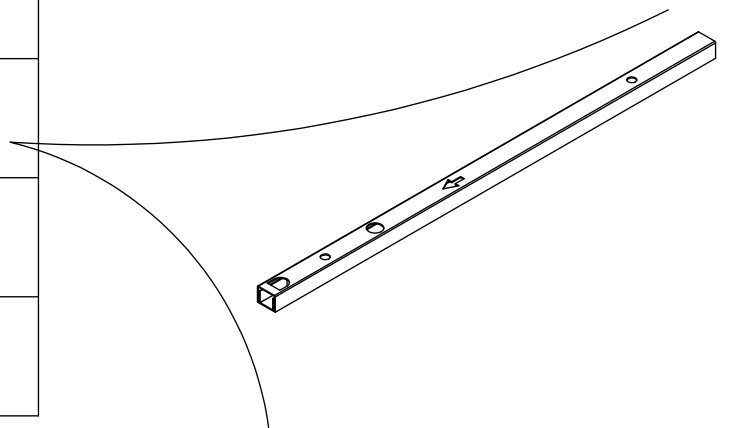
980201

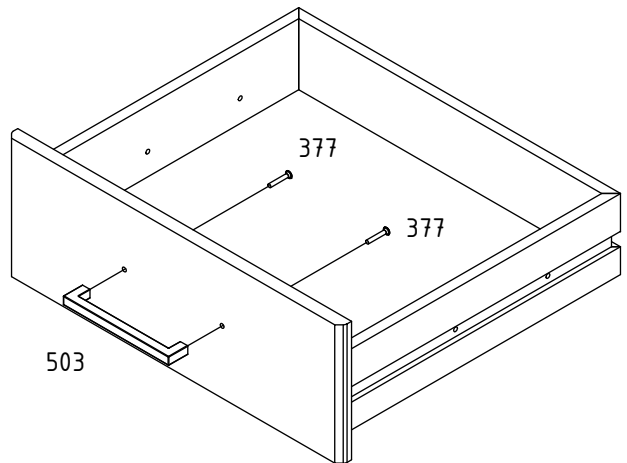
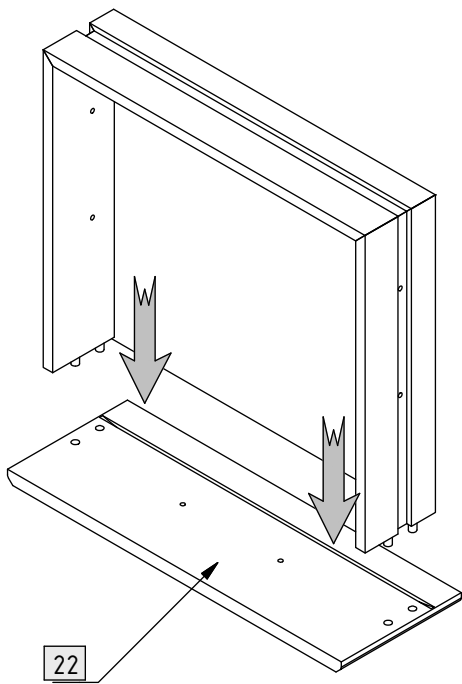
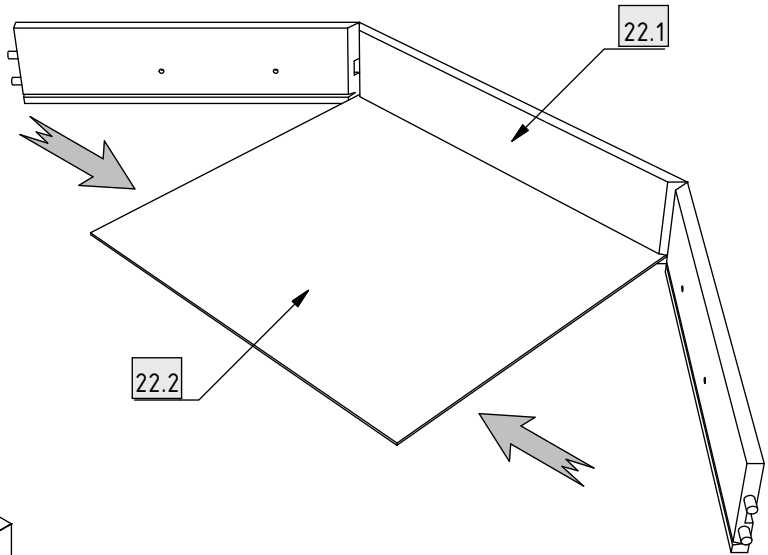
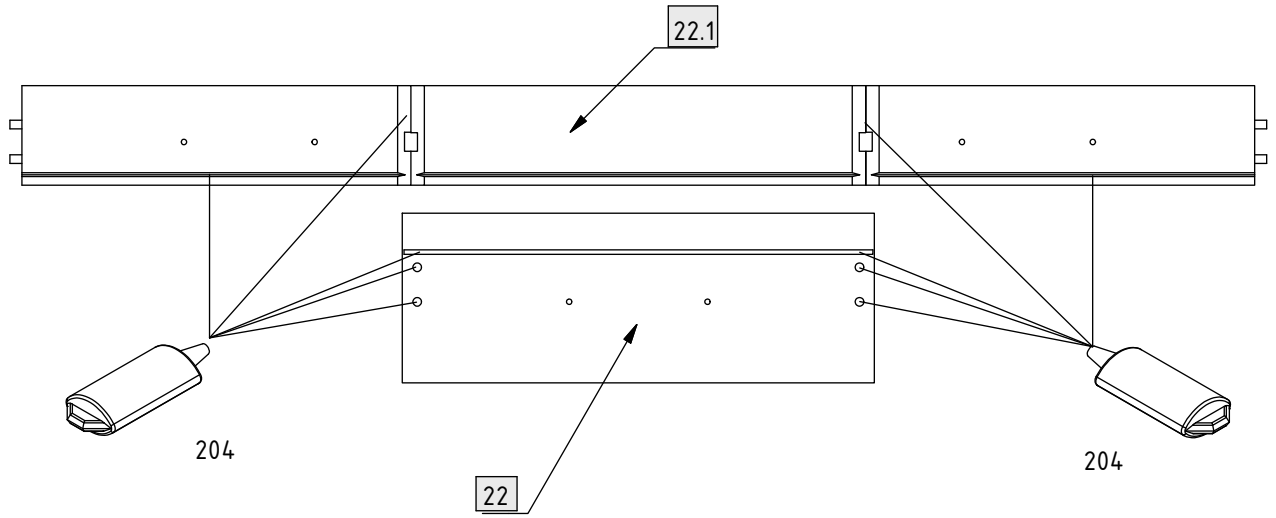


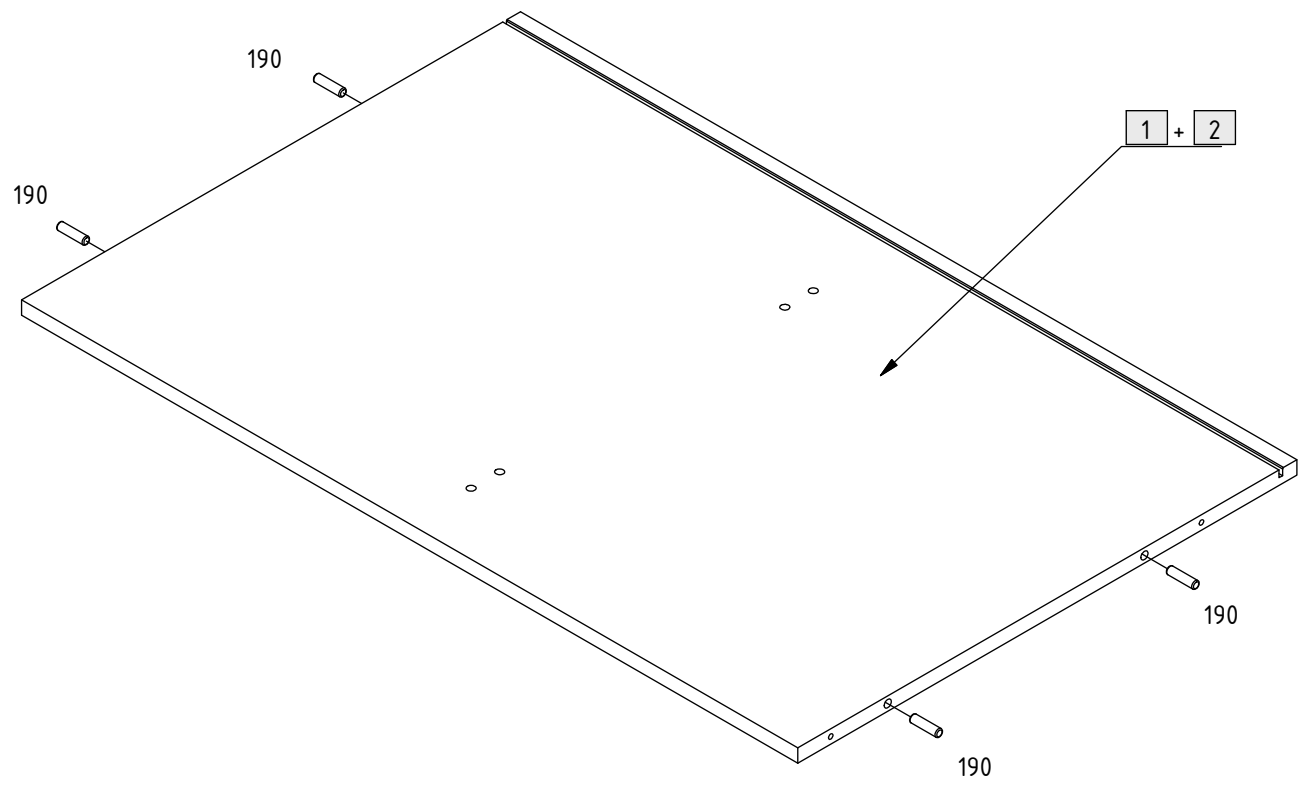
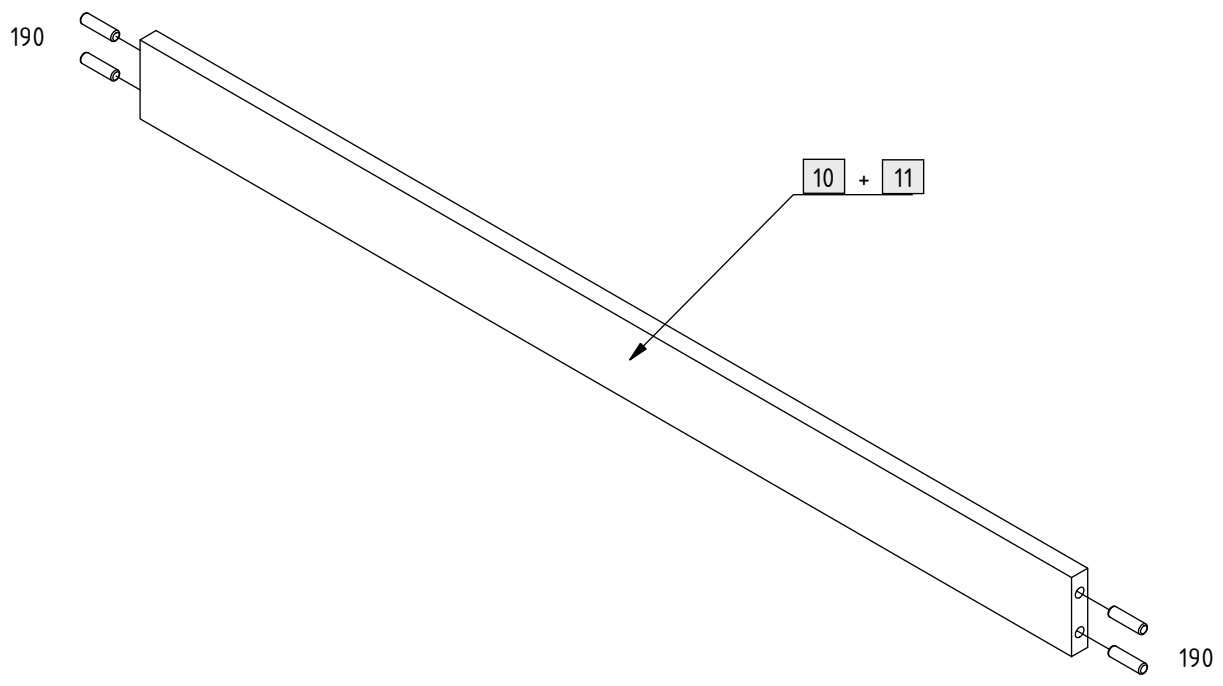




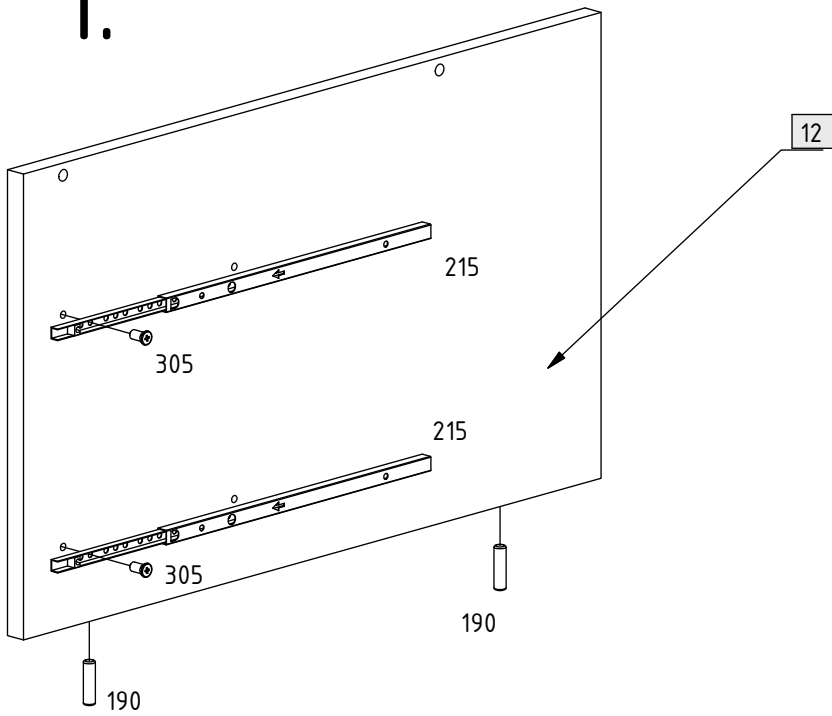
| | | | | | |
|-----|----|----------------|-----|----|------------------|
| 101 | 8 | | 305 | 8 | Ø6 x 9 mm |
| 102 | 10 | | 320 | 12 | Ø6 x 50 mm |
| 150 | 6 | | 351 | 16 | Ø3,5 x 15 mm |
| 152 | 6 | | 377 | 6 | Ø4 x 25 mm |
| 181 | 4 | | 408 | 4 | ØM4 x 9 mm |
| 190 | 18 | Ø8 x 30 mm | 503 | 3 | |
| 201 | 2 | | 746 | 1 | L = 865 mm |
| 204 | 2 | | | | |
| 215 | 4 | | | | |
| 221 | 2 | | | | |
| 303 | 2 | Ø6 x 11 mm | | | |



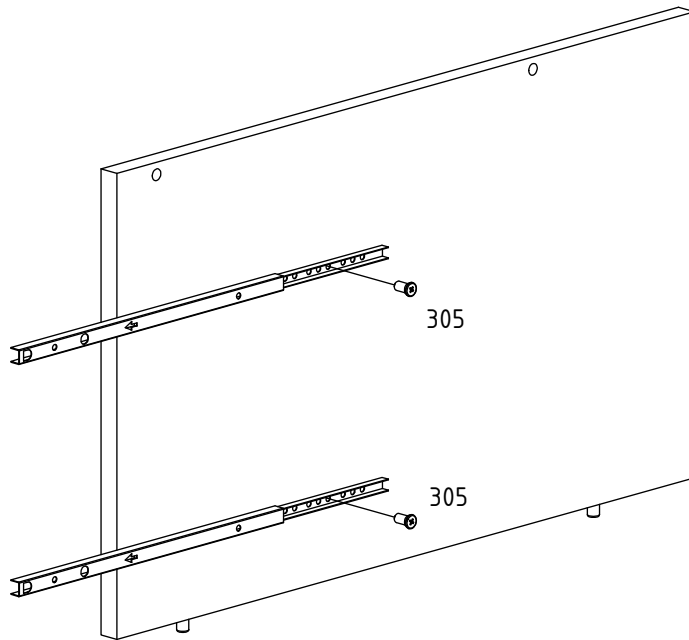


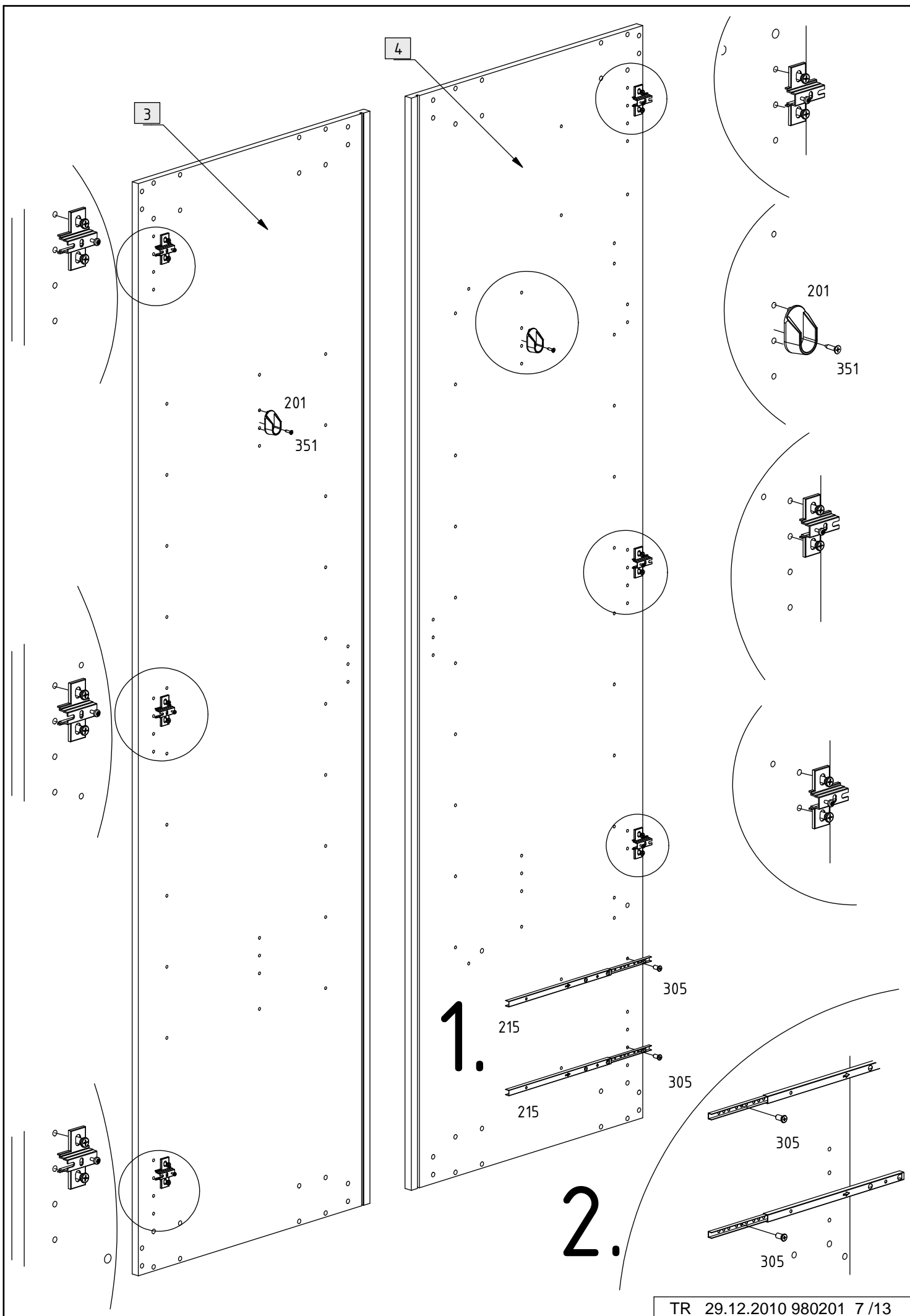


1.

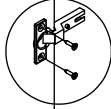
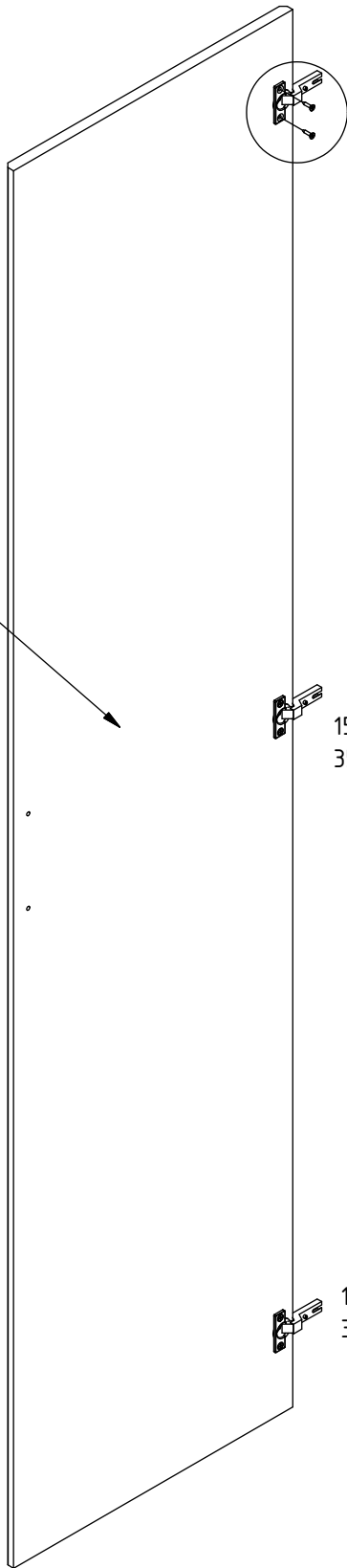


2.





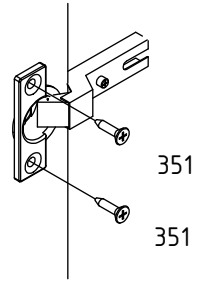
20 + 21



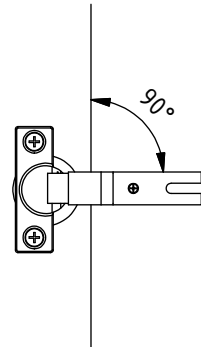
152 +
351

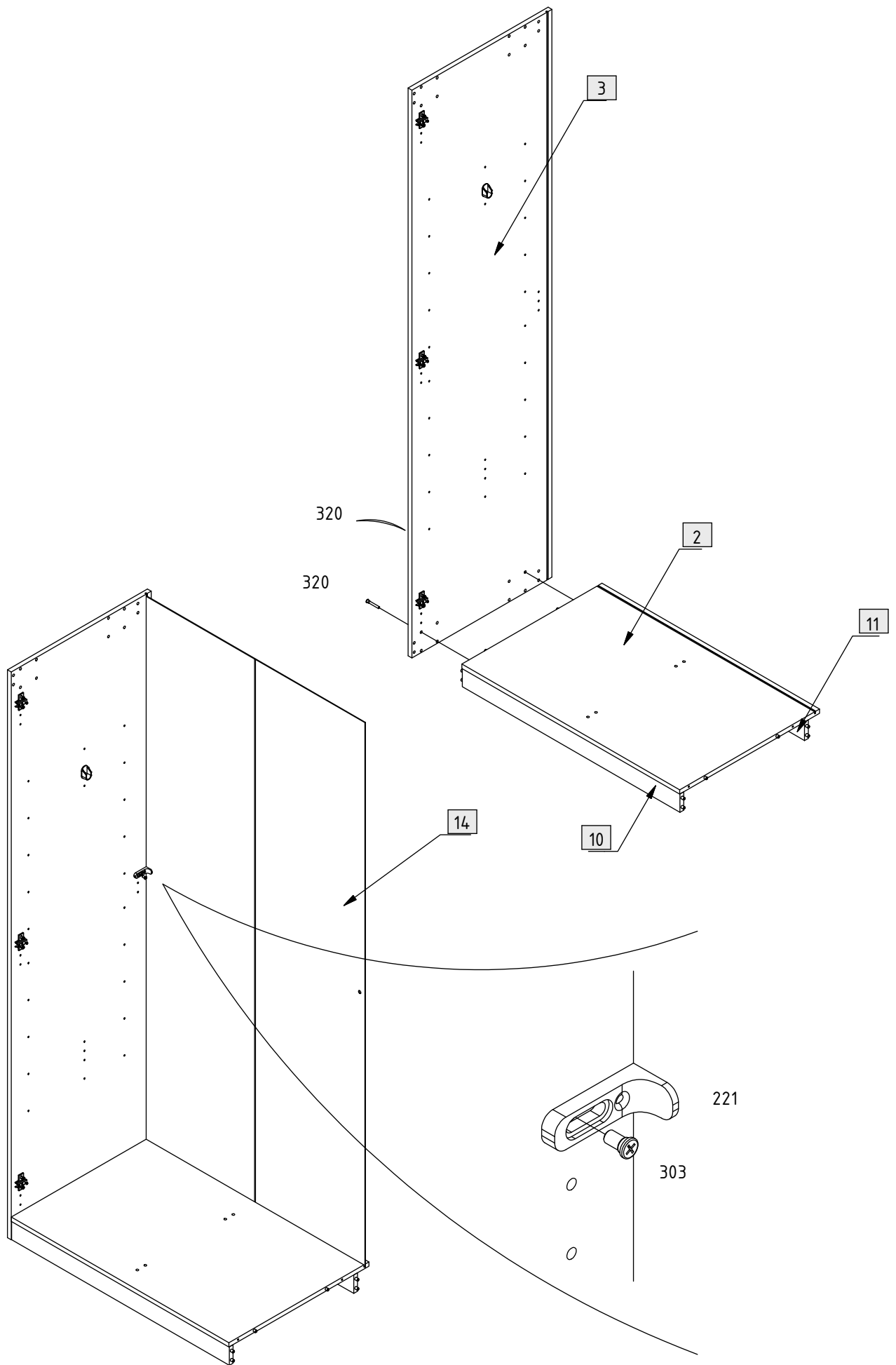


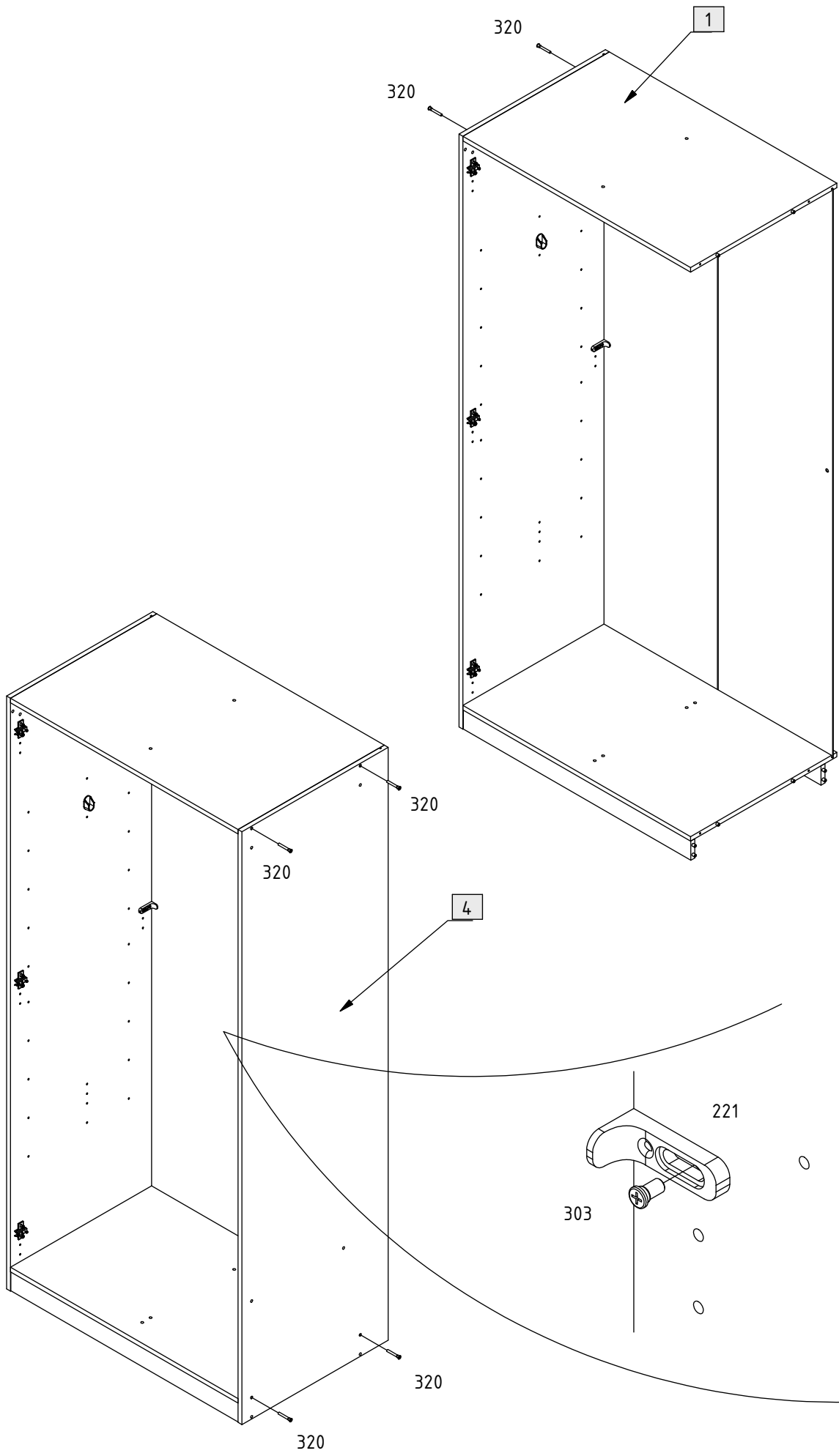
152 +
351

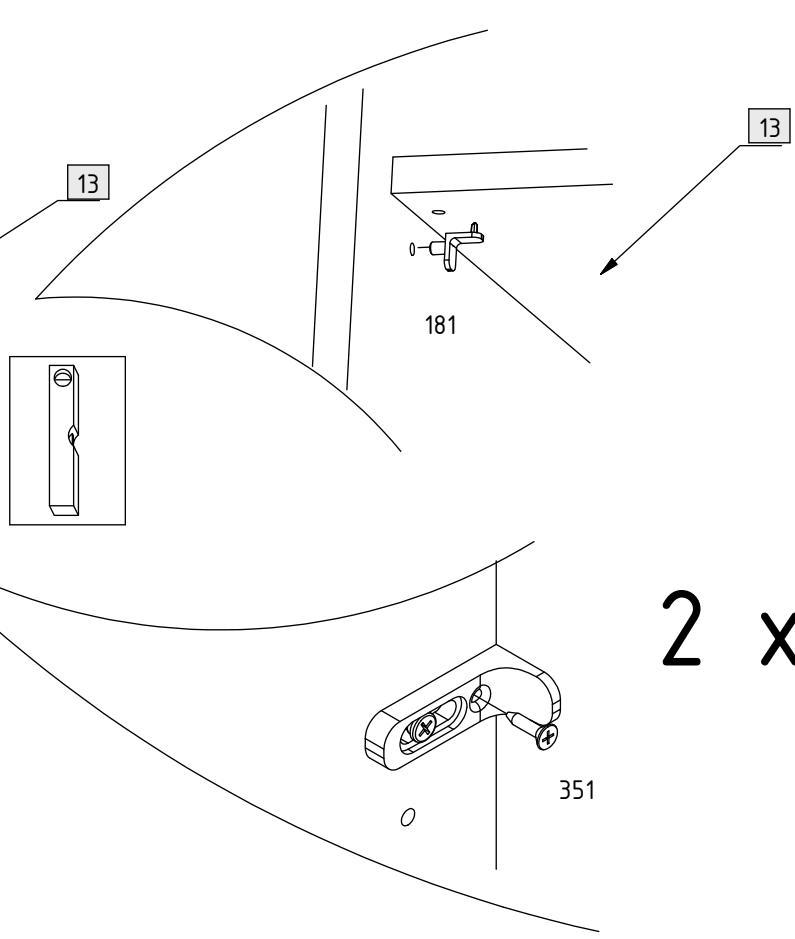
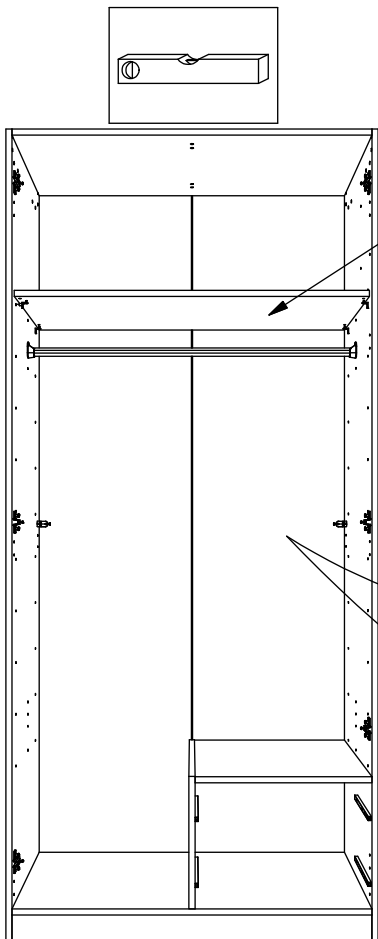
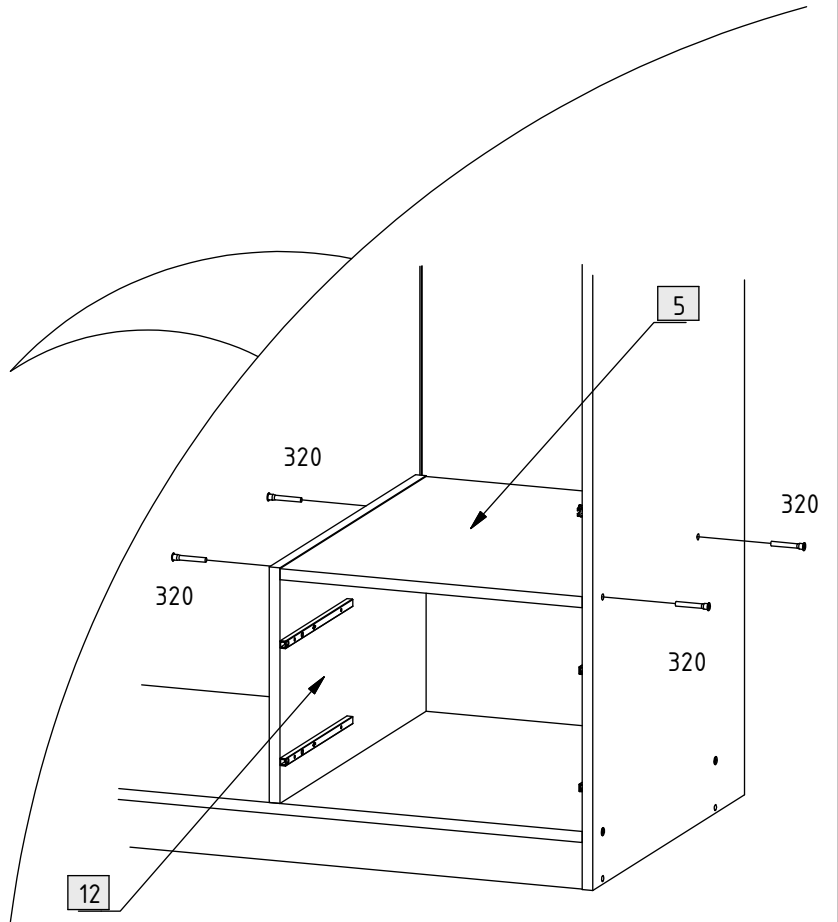
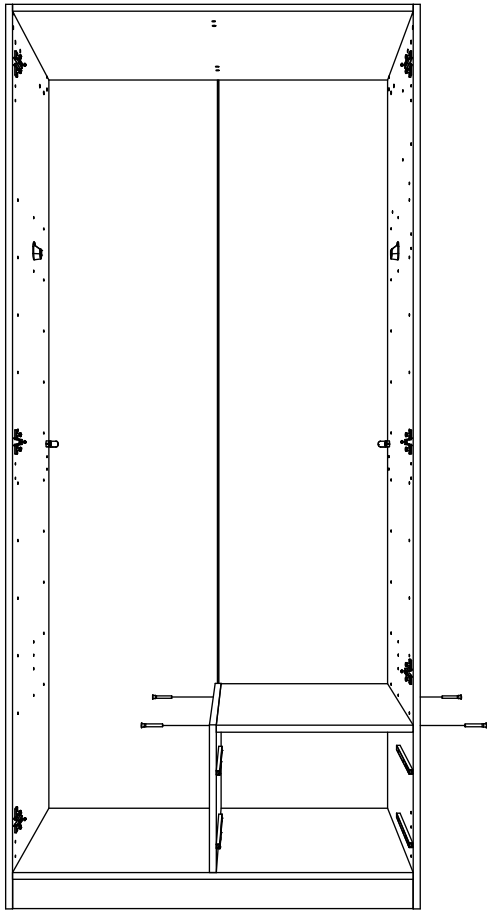


351
351

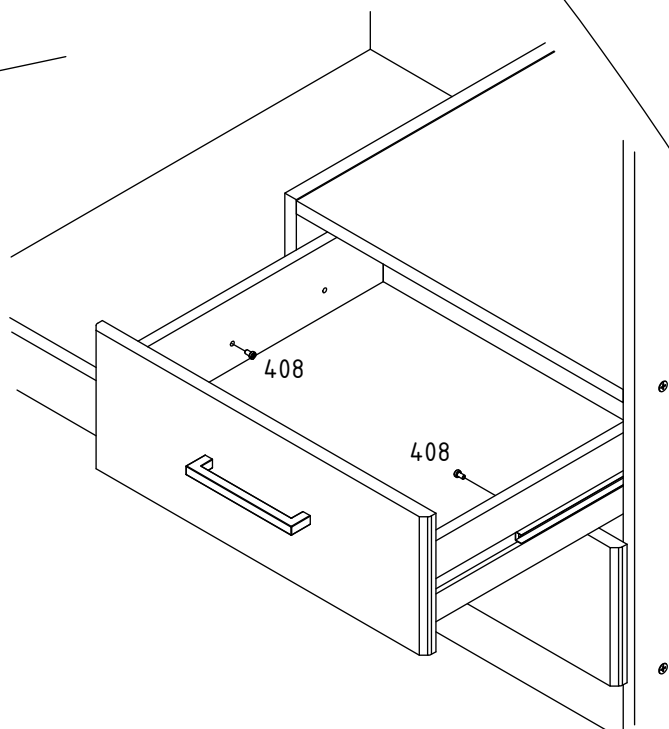
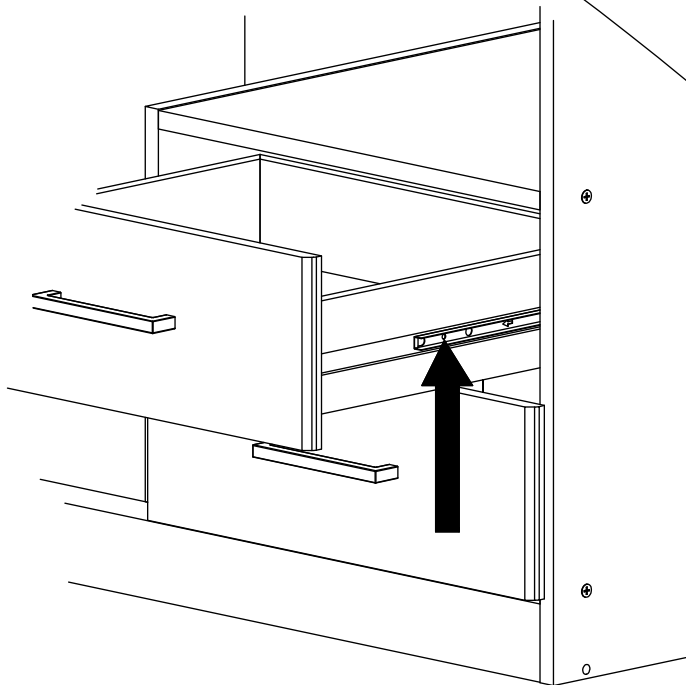
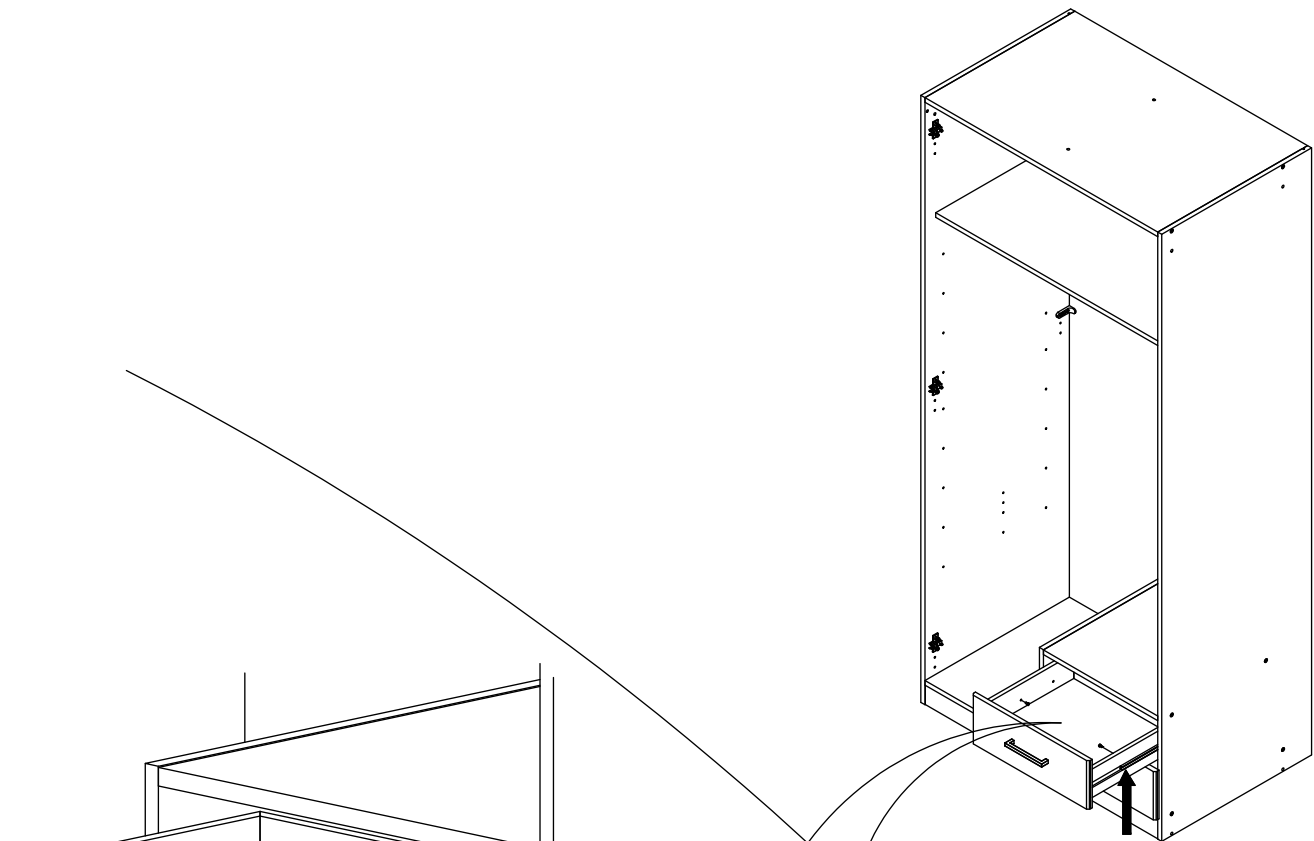


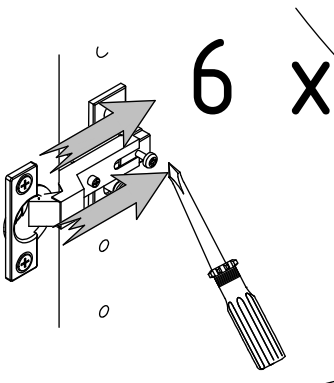




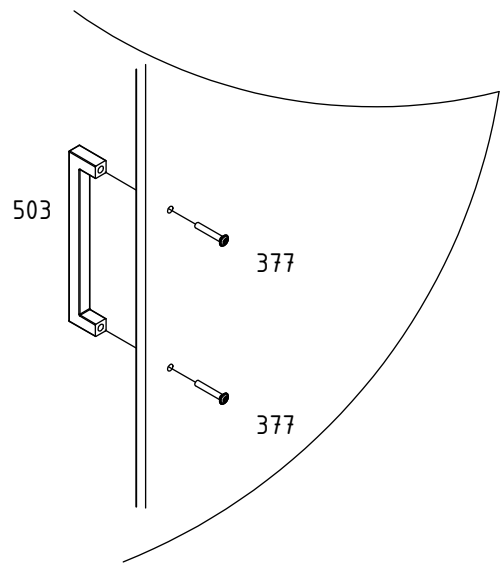
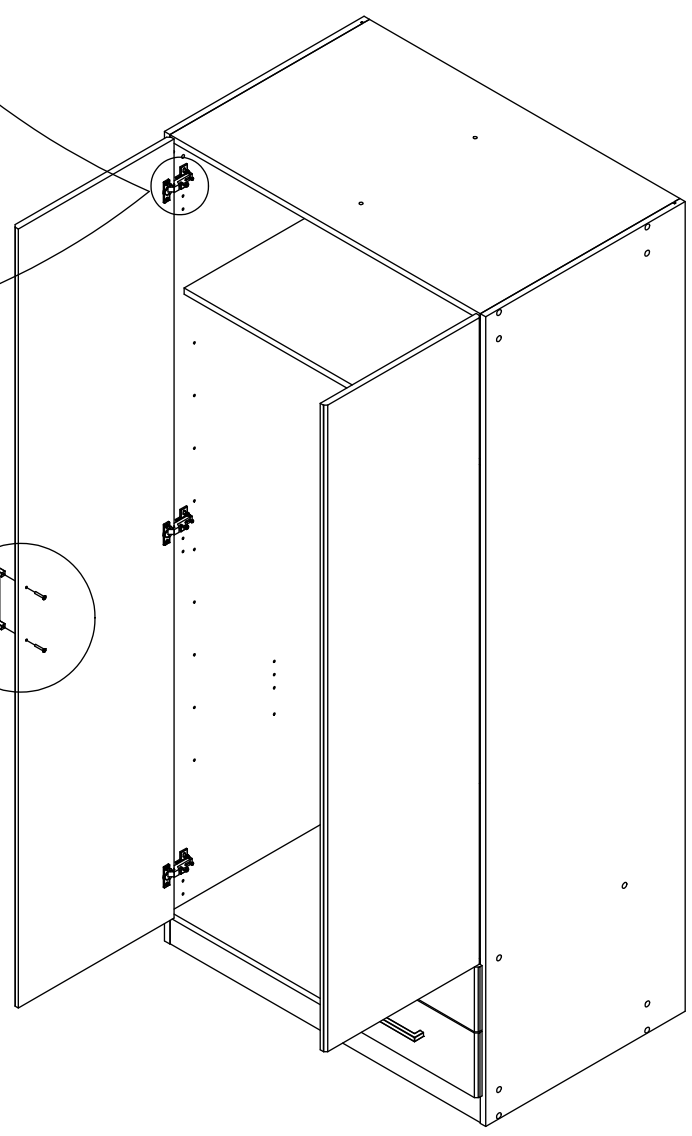


2 x





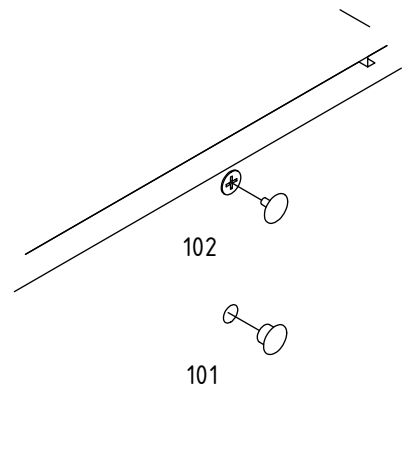
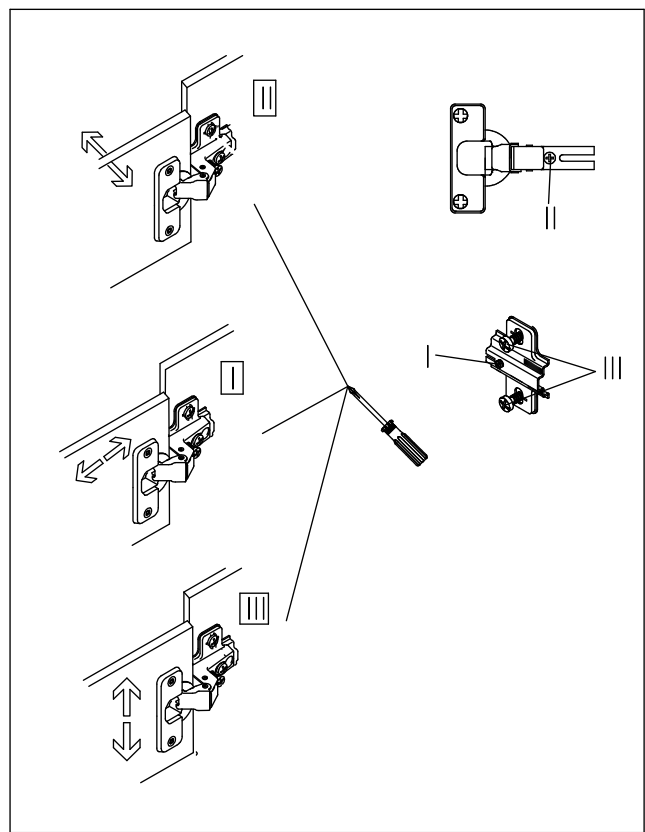
6 x



503

377

377



102

101

