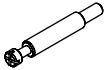
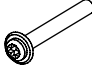



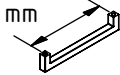


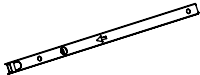



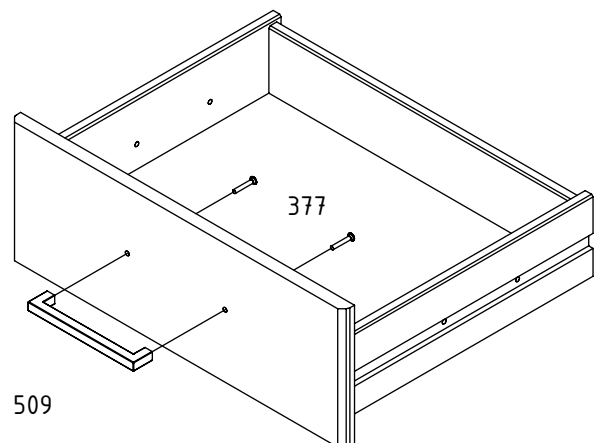
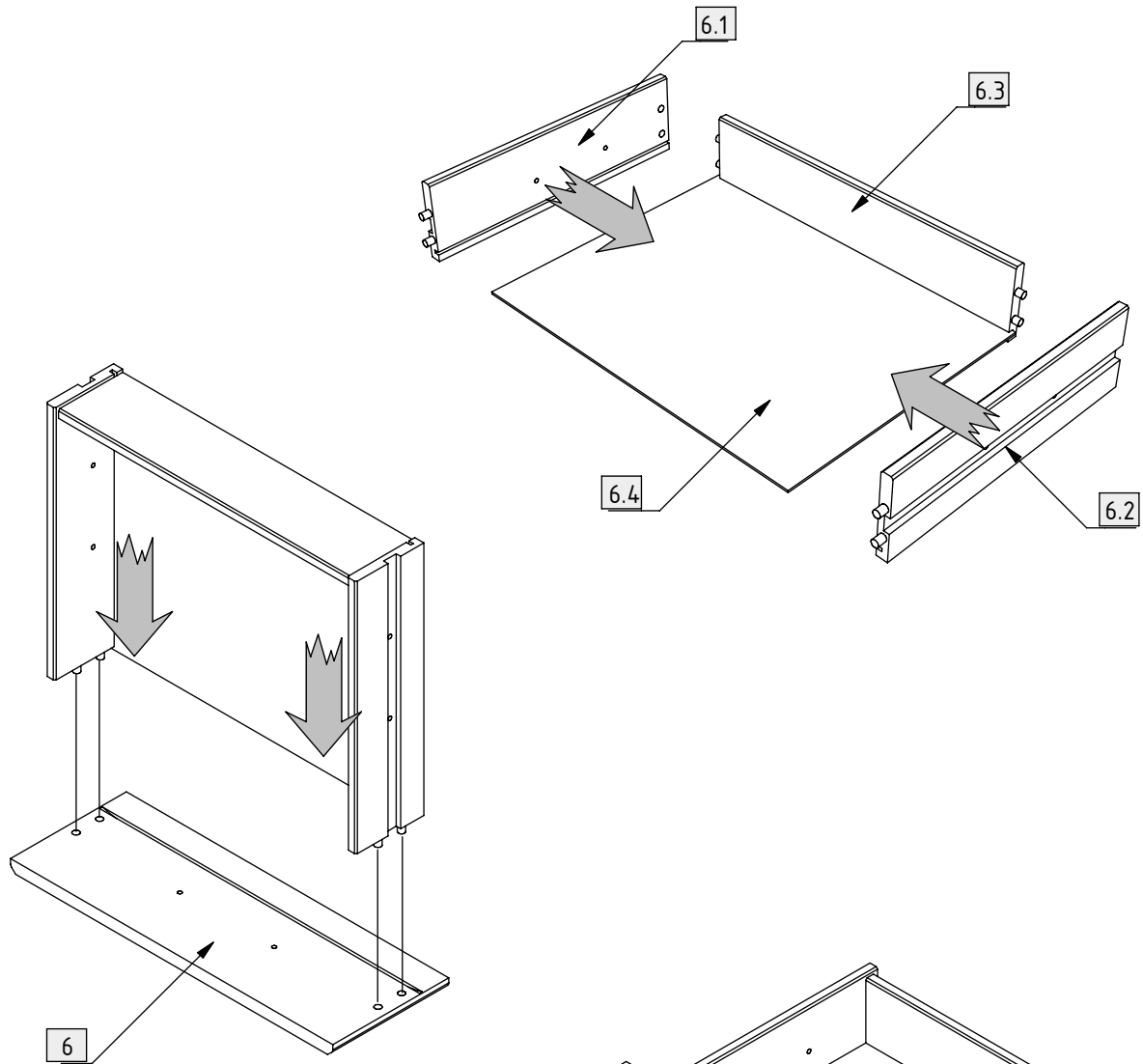
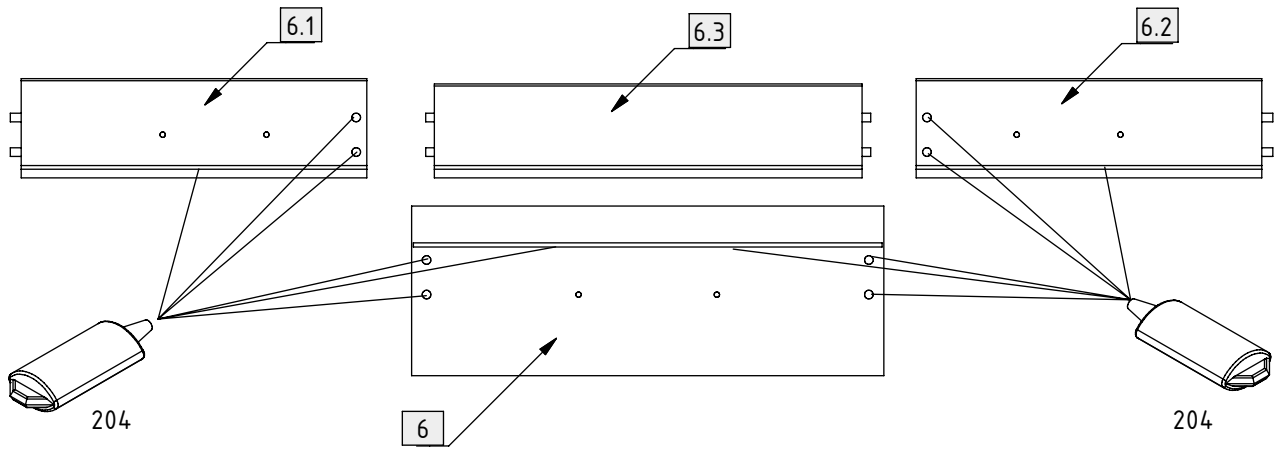
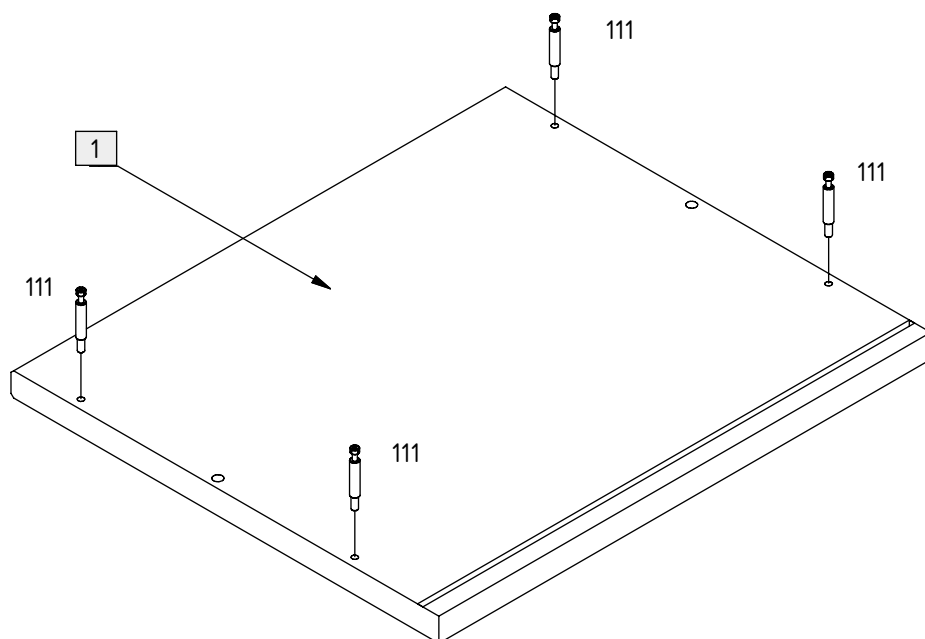
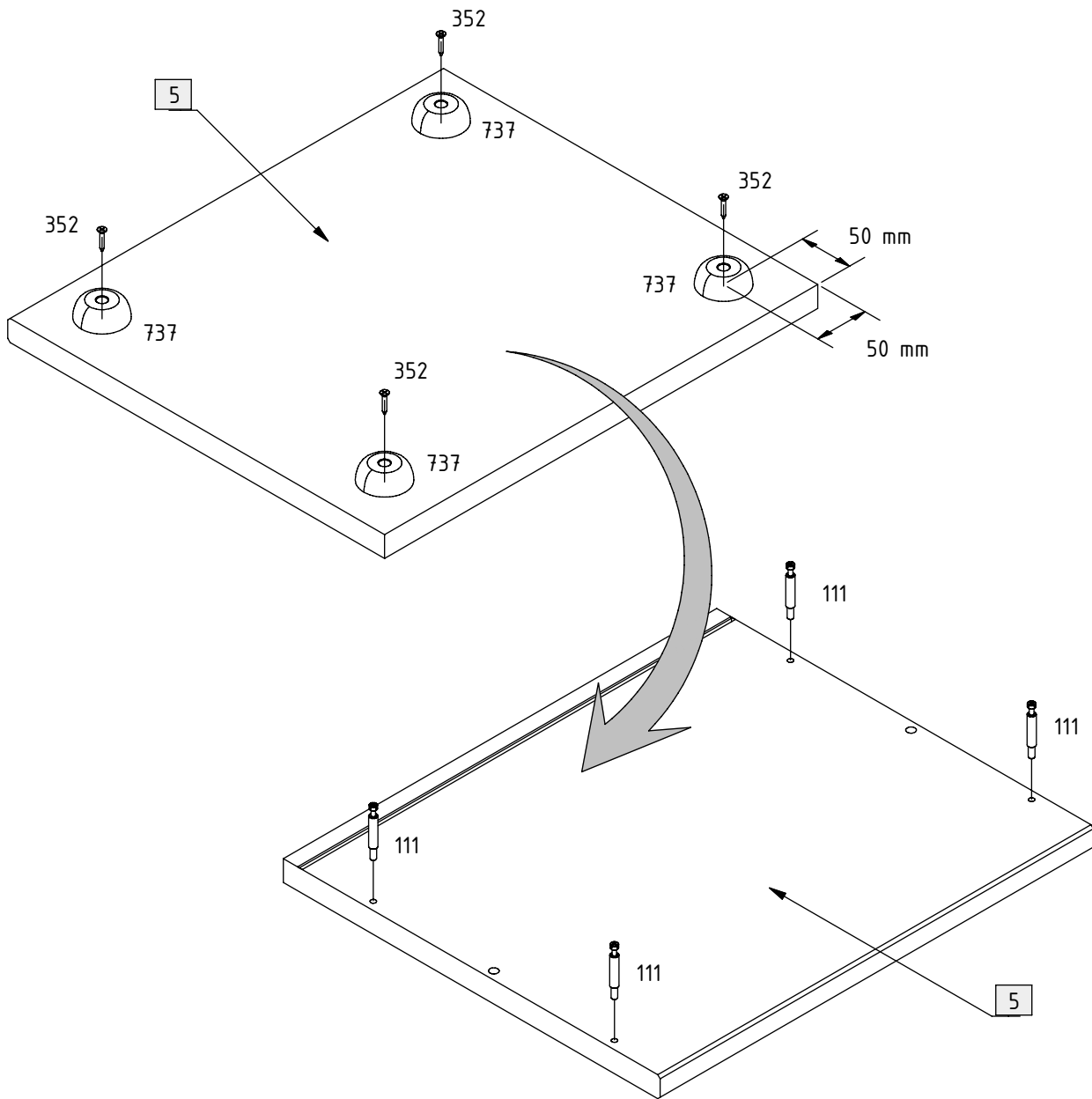
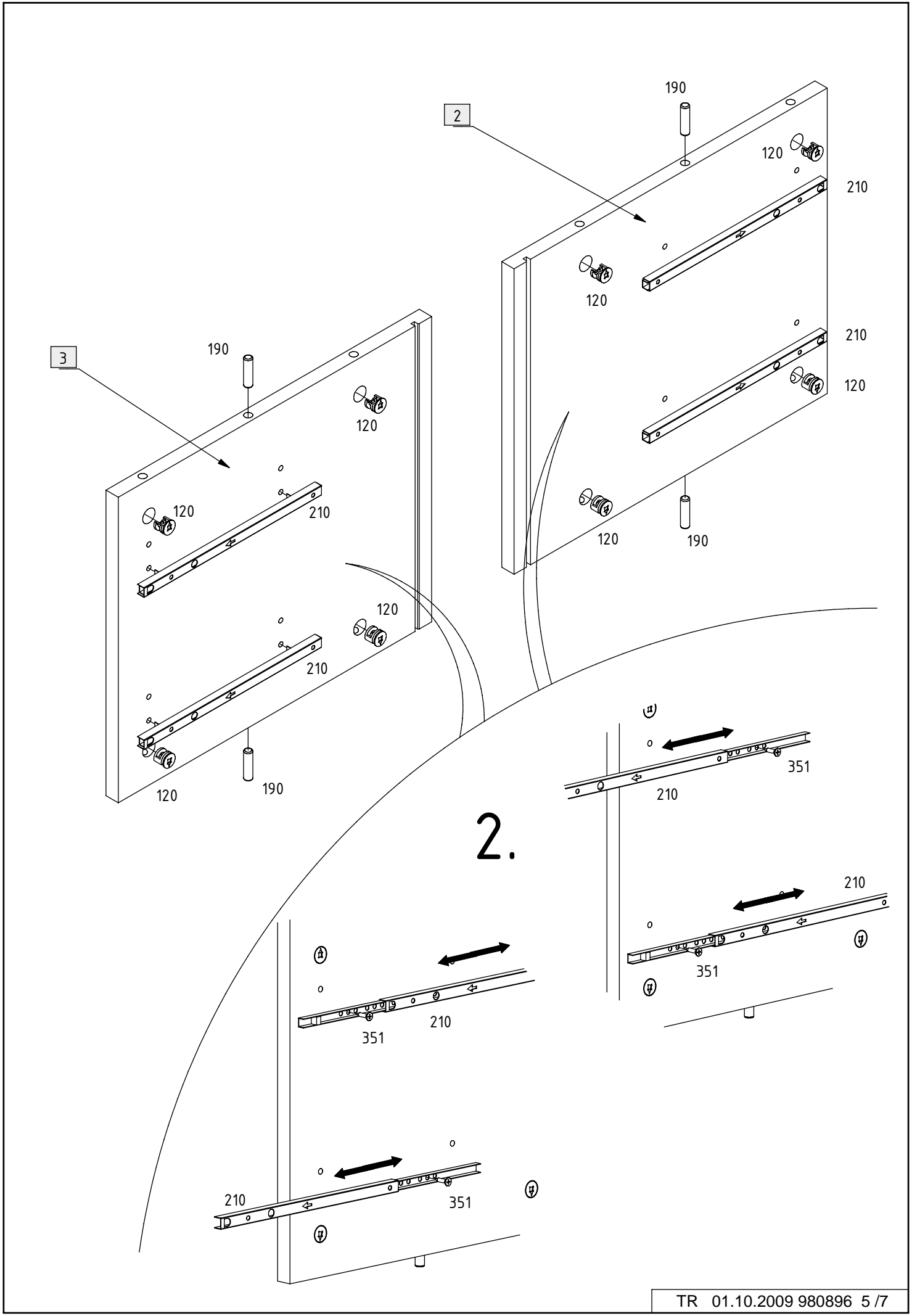
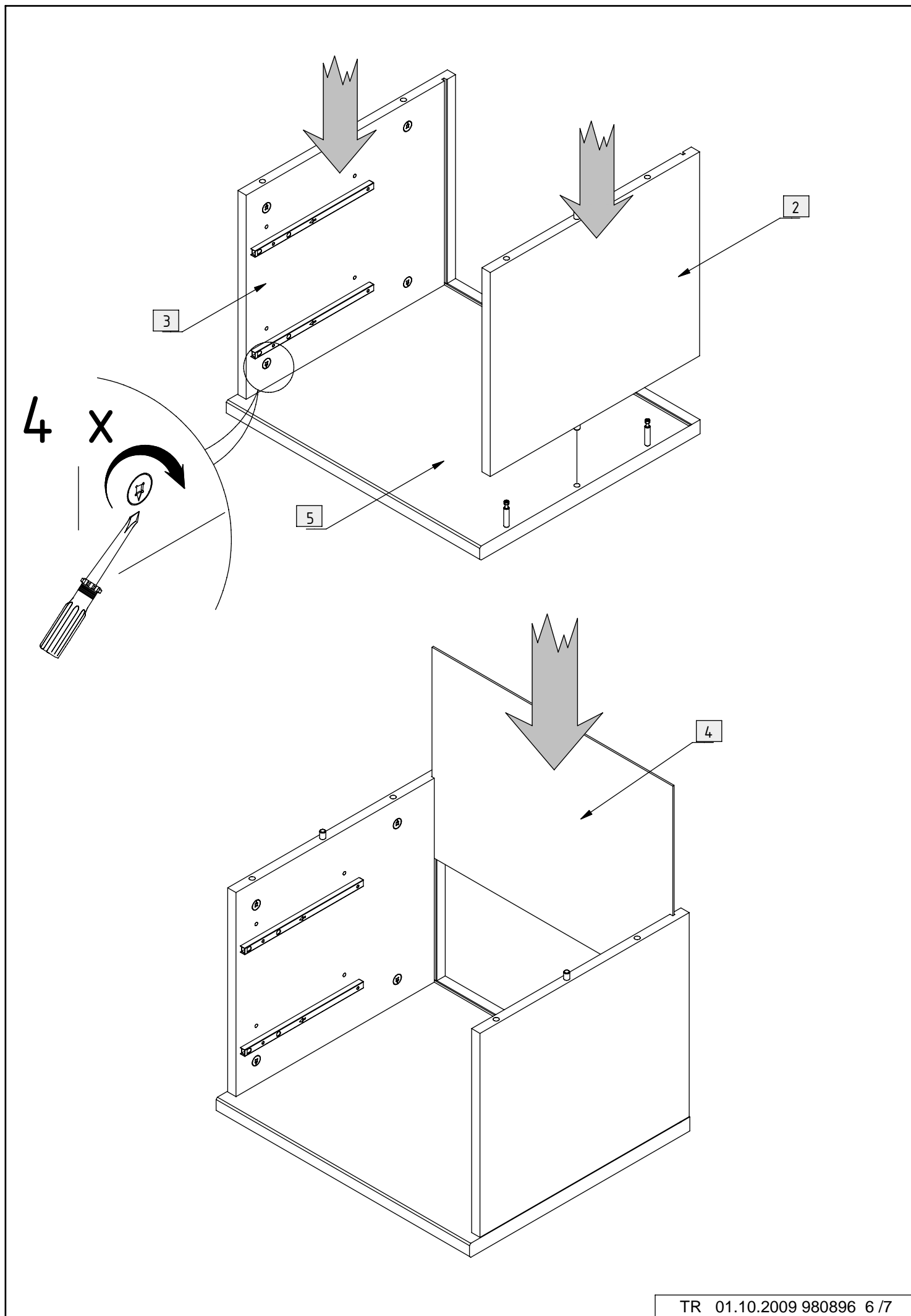


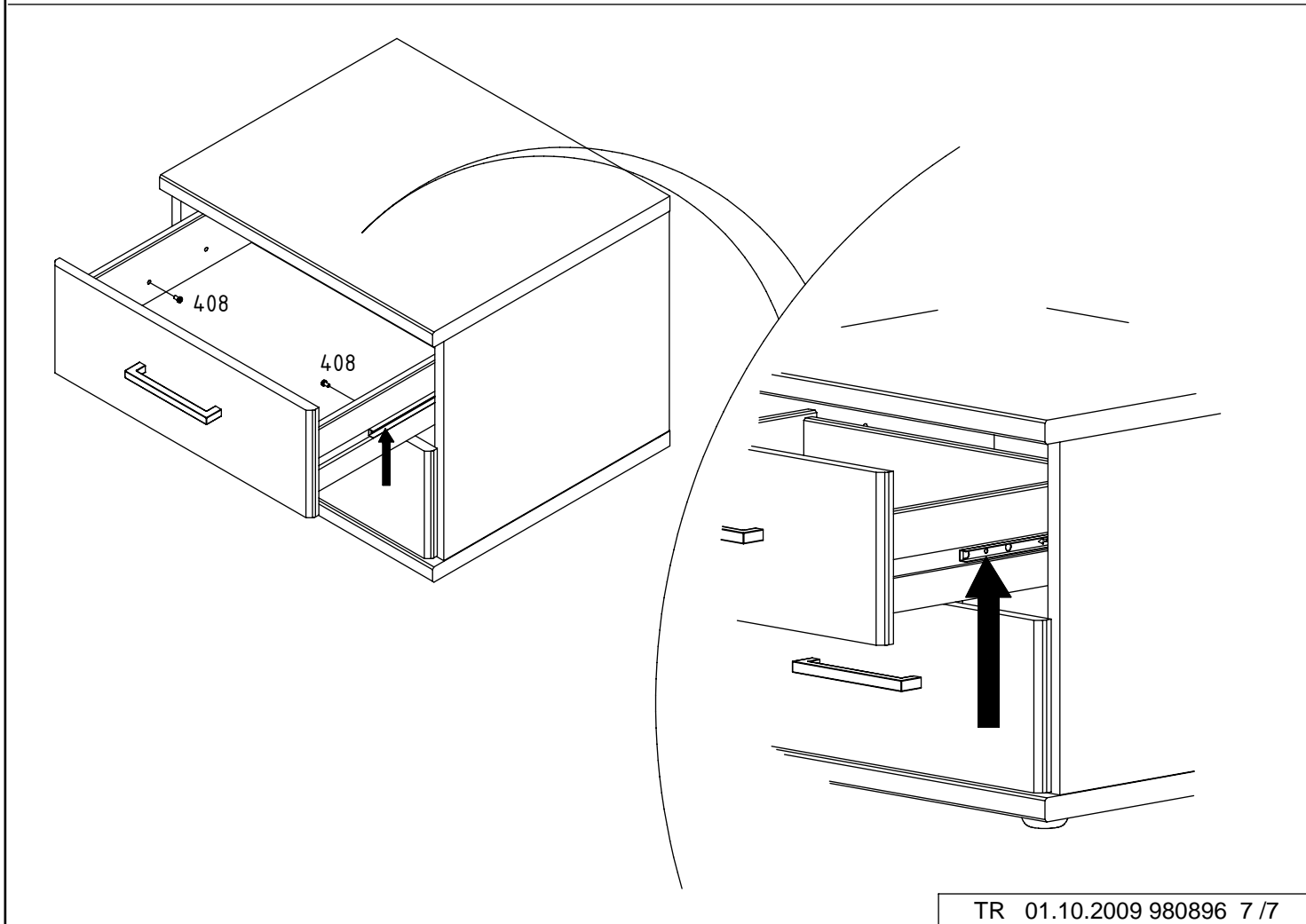
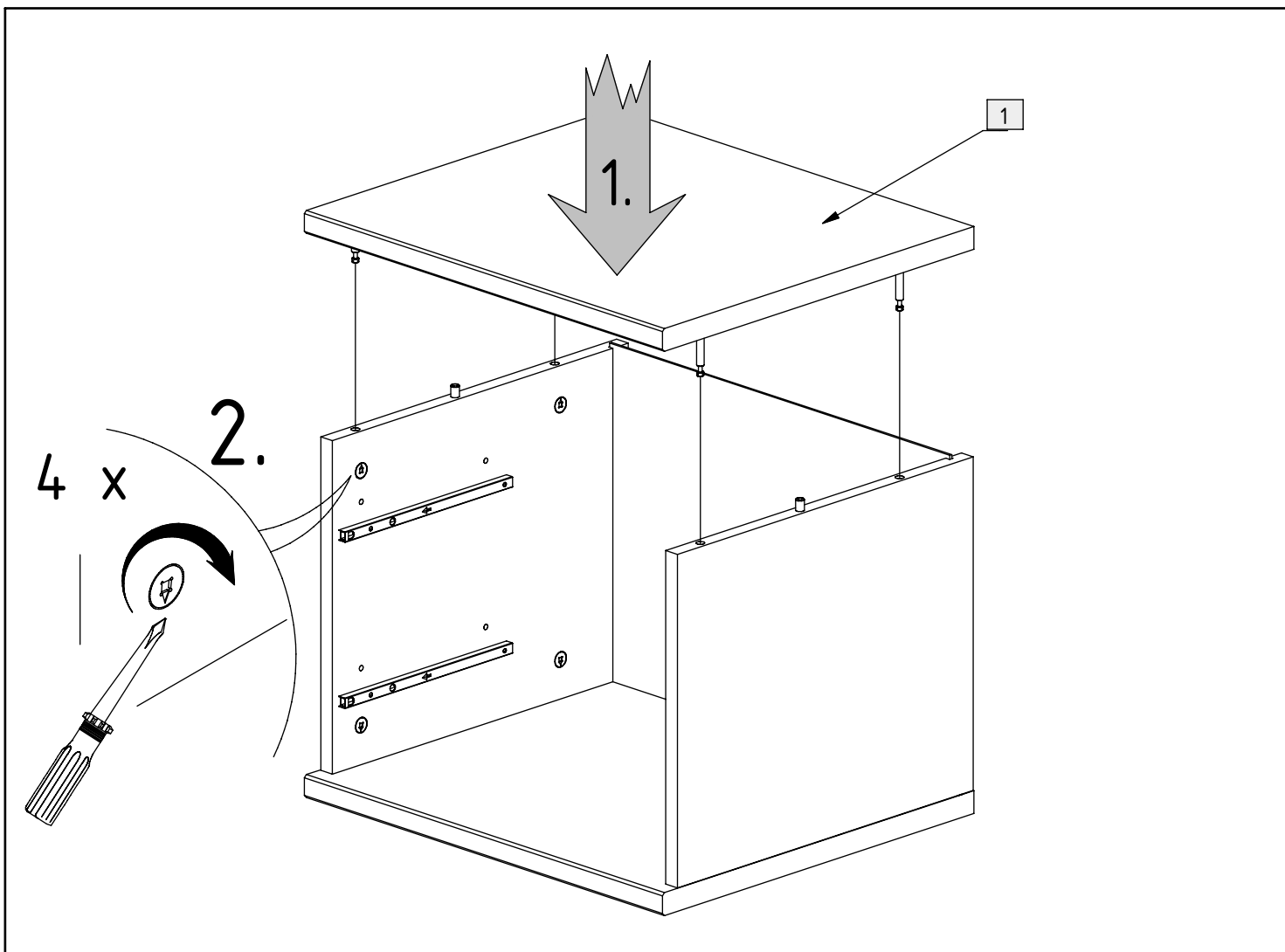
111	8		377	4	 $\varnothing 4 \times 25 \text{ mm}$
120	8		408	4	 $M4 \times 9 \text{ mm}$
190	4	 $\varnothing 8 \times 30 \text{ mm}$	503	2	A  128 mm
204	1		509	2	B 
210	4		737	4	
351	8	 $\varnothing 3,5 \times 15 \text{ mm}$			
352	4	 $\varnothing 4 \times 20 \text{ mm}$			

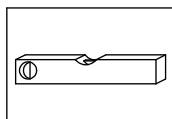
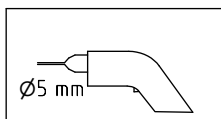




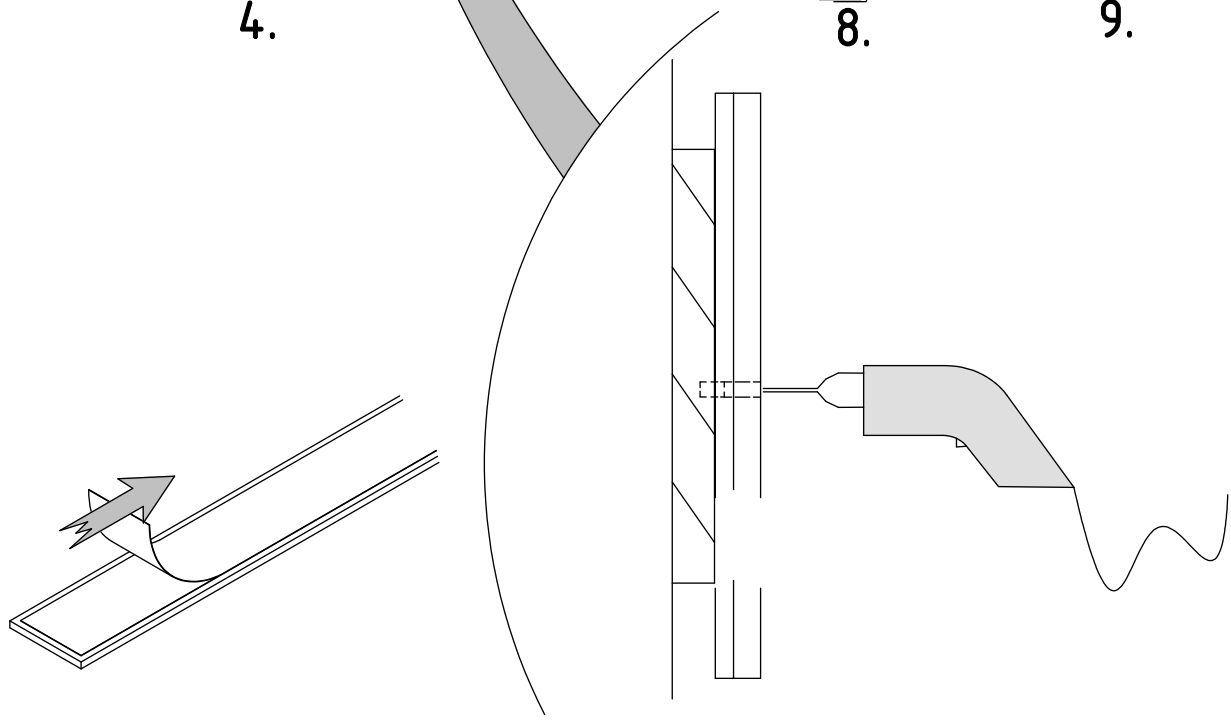
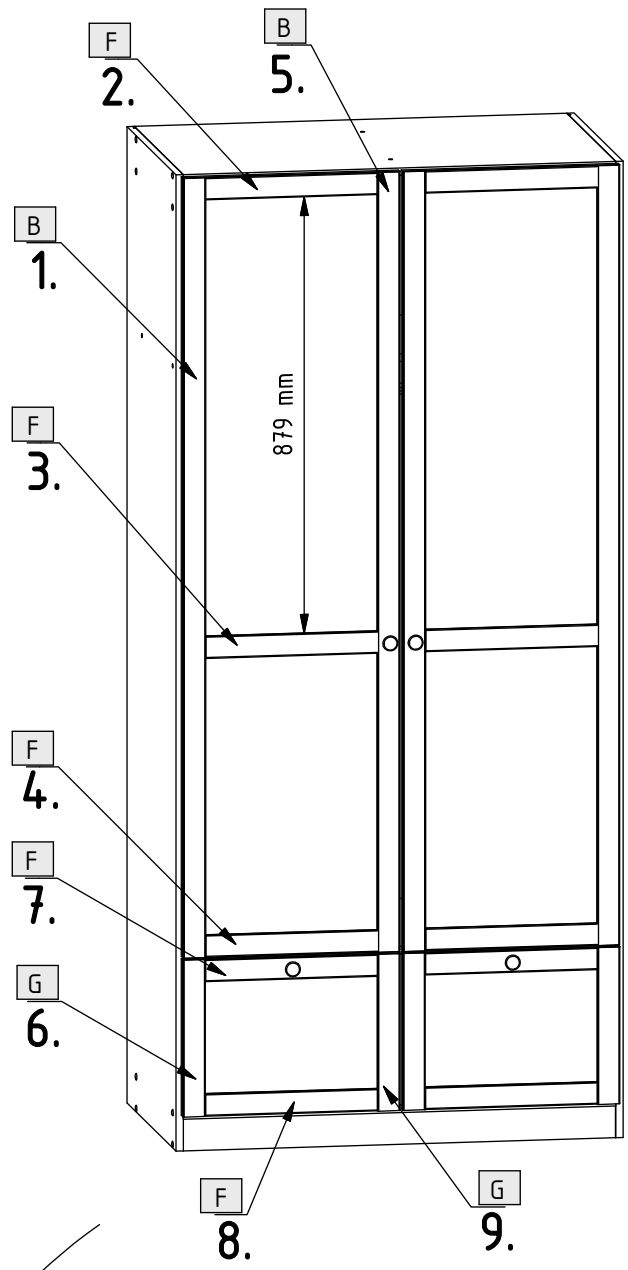
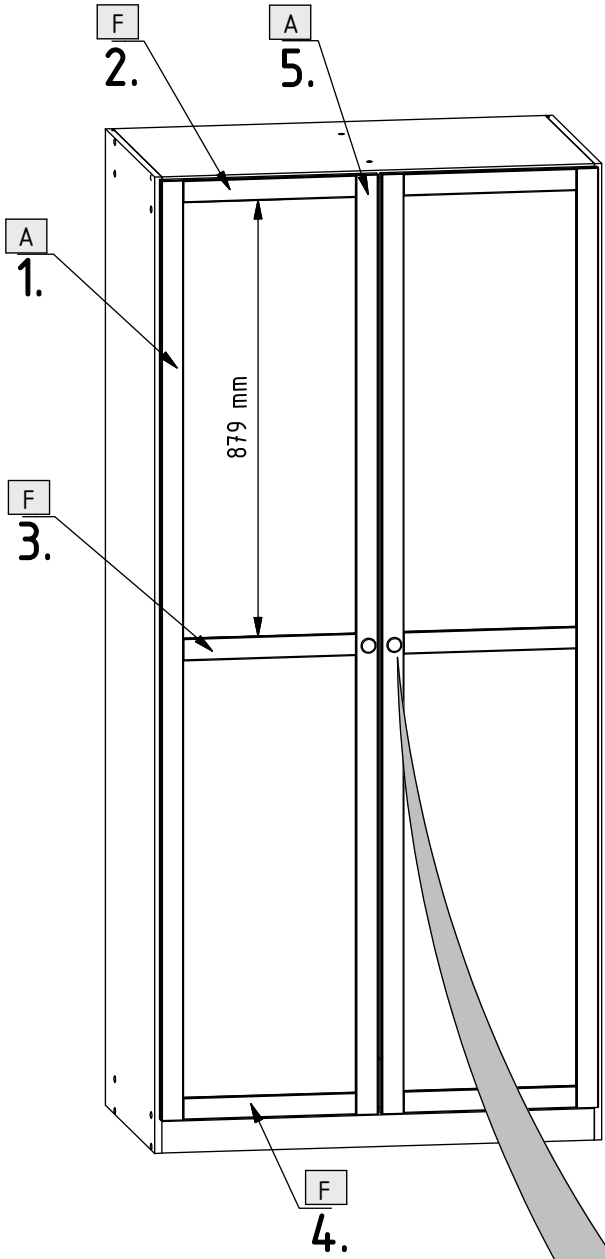


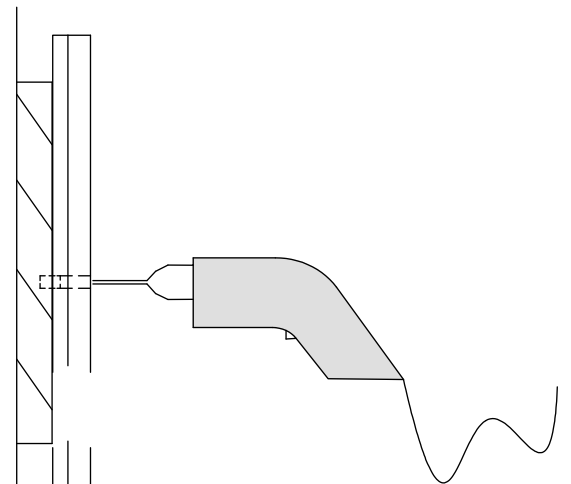
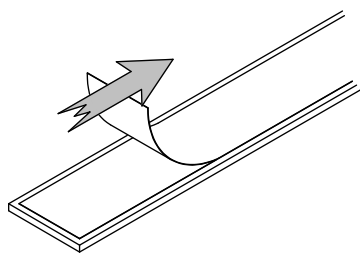
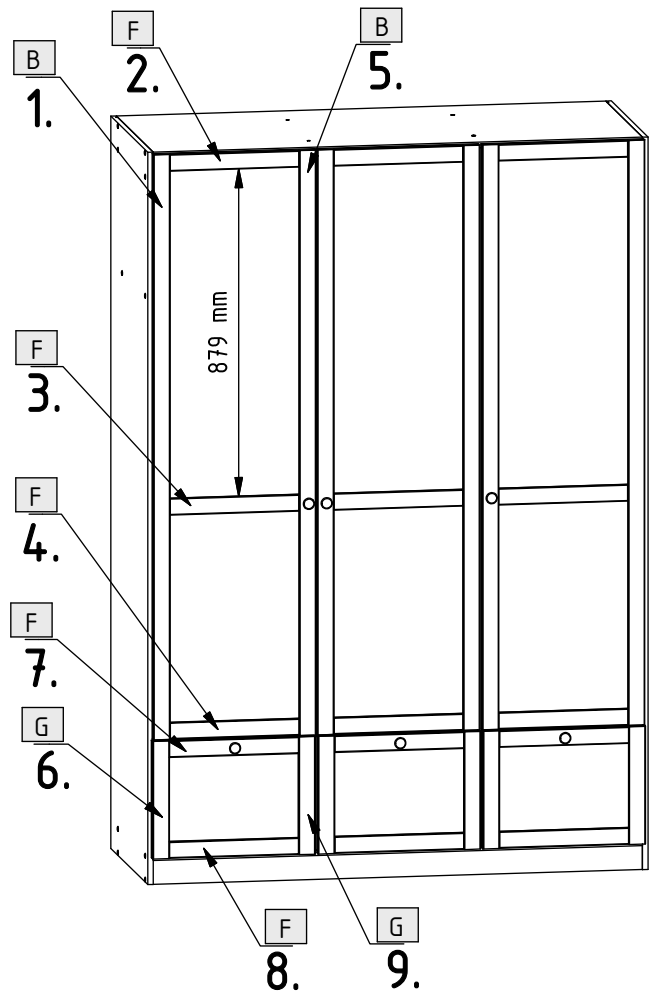
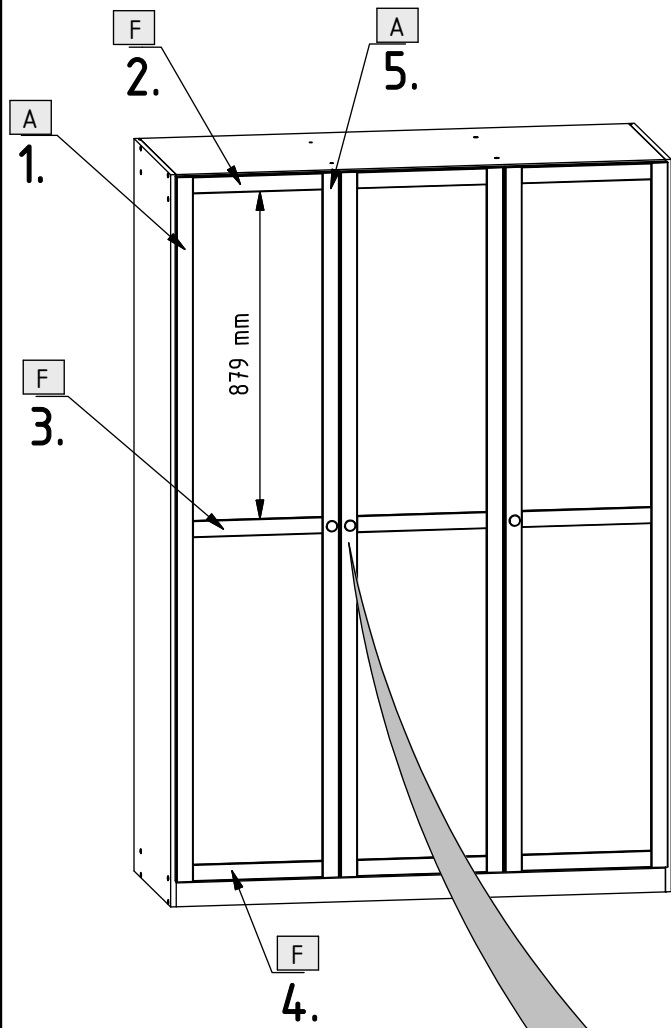


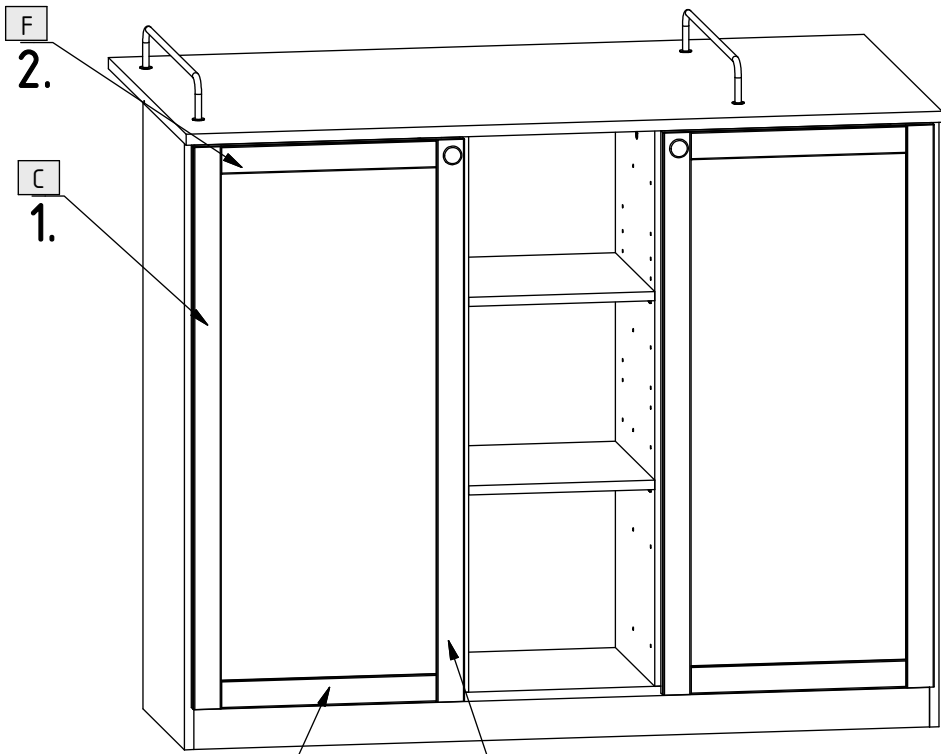




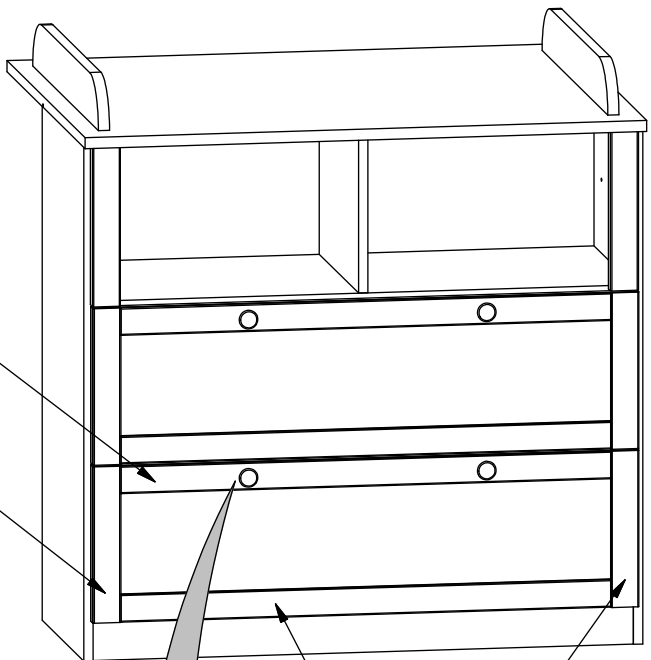
L = 1892mm	L = 1571mm	L = 906mm	L = 789mm	L = 712mm	L = 346mm	L = 316mm	L = 252mm	L = 157mm
A	B	C	D	E	F	G	H	I







F
3.
C
4.



D
2.
H
1.

D
3.
H
4.

